

SHEET SIZE

A



DRAWN BY: J. M.

DATE: 09/09/30

SCALE: QTY.:

CHECKED BY: FT

TOLERANCES

.XX ± .010
.X ± .015
.XXX ± .005

ANGLE ± 1°



Mechanical desing expertise for manufacturing
2120, Andre-C.-Hamel street, Drummondville QC J2C 8B1
Tel.: (819) 475-4367 | Fax.: (819) 475-5011
www.cofamek.com | www.fabrimeka.com

CUSTOMER FORM-TECH WINDOWS

PROJECT C08029

TITLE

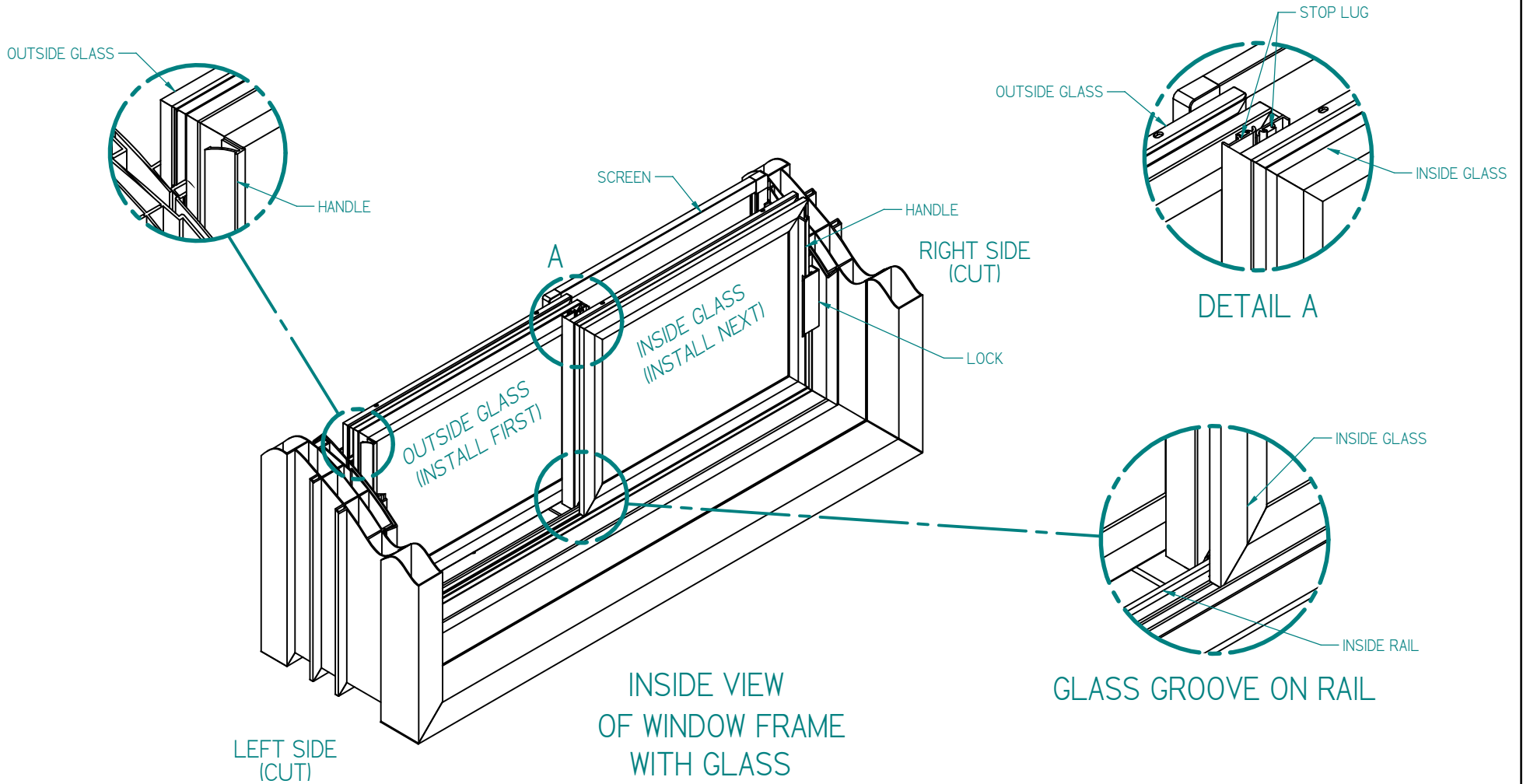
SLIDING WINDOW 3214
INSTALLATION DETAIL - PAGE I


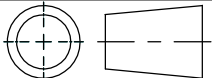
MAT'L.:

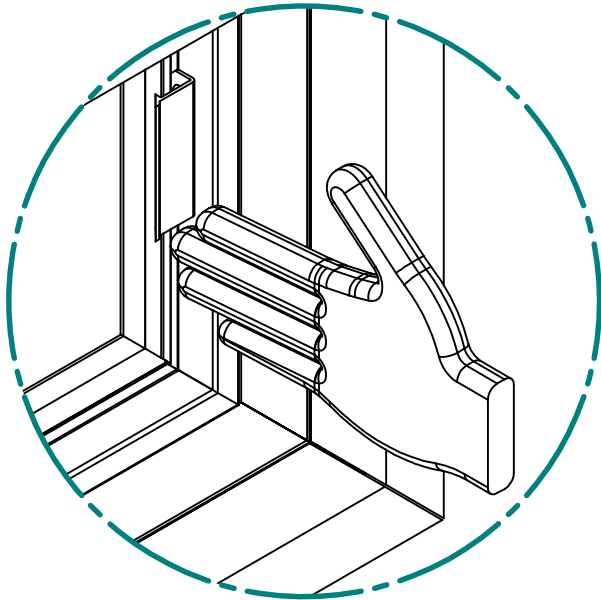
DRAWING NO 08029-4219-E

REV. 0

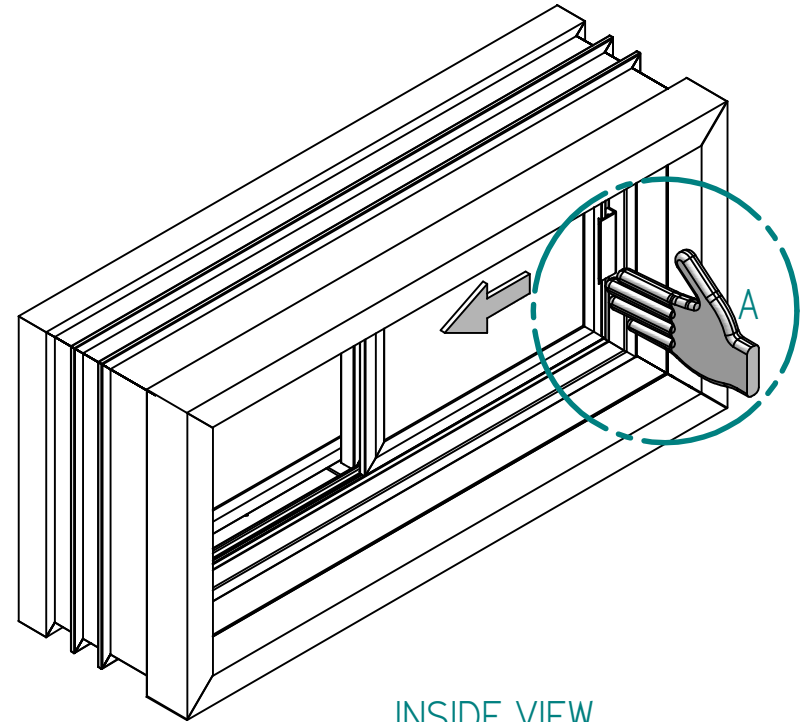
NO.	DATE	REVISION	BY



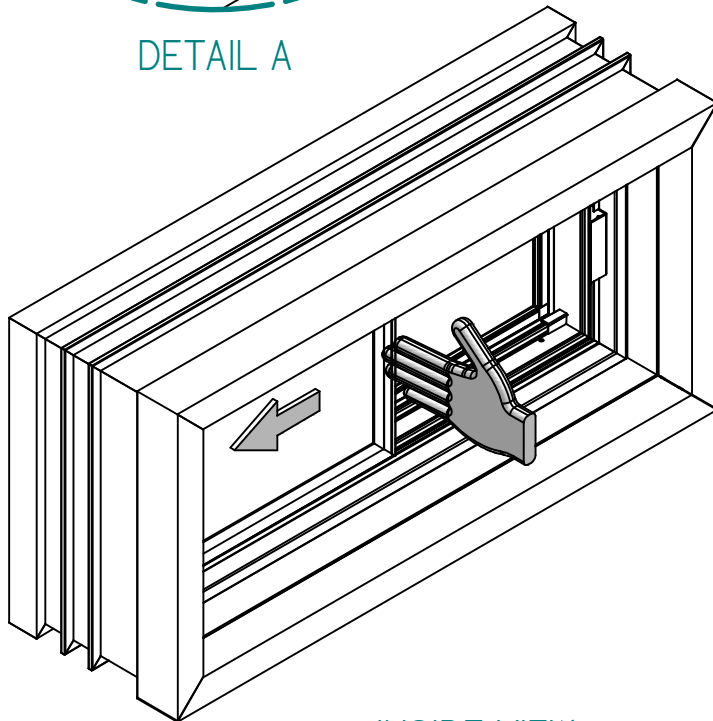
SHEET SIZE A		 Mechanical desing expertise for manufacturing 2120, Andre-C.-Hamel street, Drummondville QC J2C 8B1 Tel.: (819) 475-4367 Fax.: (819) 475-5011 www.cofamek.com www.fabrimeka.com		
				
DRAWN BY: J. M.		CUSTOMER: FORM-TECH WINDOWS	PROJECT: C08029	
DATE: 09/09/30		TITLE SLIDING WINDOW 3214 INSTALLATION DETAIL - PAGE 2		
SCALE:	QTY.:			
CHECKED BY: FT				
TOLERANCES				
.XX ± 1/32	.XX ± .010	MAT'L.:	DRAWING NO 08029-4219-E	
.X ± .015	.XXX ± .005			
ANGLE	± 1°			
NO.	DATE	REVISION	BY	REV. 0





DETAIL A



INSIDE VIEW
CLOSED POSITION



INSIDE VIEW
OPEN POSITION

SHEET SIZE A		 Mechanical desing expertise for manufacturing 2120, Andre-C.-Hamel street, Drummondville QC J2C 8B1 Tel.: (819) 475-4367 Fax.: (819) 475-5011 www.cofamek.com www.fabrimeka.com			
					
DRAWN BY:	J. M.	CUSTOMER	FORM-TECH WINDOWS	PROJECT	C08029
DATE:	09/09/30	TITLE			
SCALE:	QTY.:	SLIDING WINDOW 3214 OPENING INSTRUCTION - PAGE 3			
CHECKED BY:	FT				
TOLERANCES		MAT'L.:	DRAWING NO 08029-4219-E	REV. 0	
.XX ± 1/32	.XX ± .010				
.X ± .015	.XXX ± .005				
ANGLE	± 1°				

NO.	DATE	REVISION	BY
-----	------	----------	----