

OUTSIDE RAIL

CENTER RAIL

INSIDE RAIL

SCREEN SUPPORT

DRAINING HOLES
(PLACED OUTSIDE)

OUTSIDE RAIL

LOCK

RIGHT SIDE
(CUT)


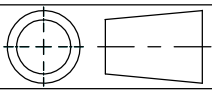
INSIDE RAIL

CENTER RAIL

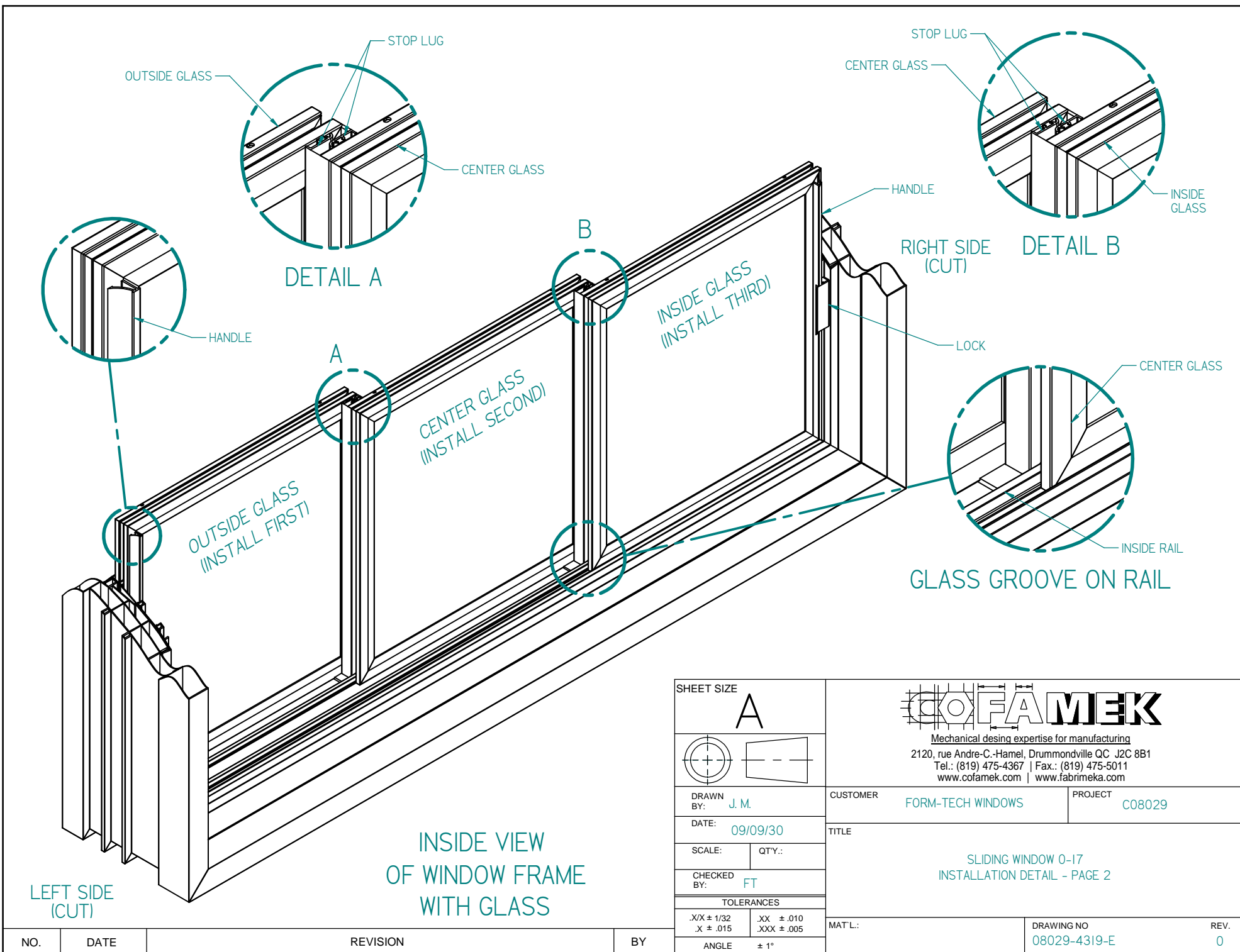
WINDOW SILL

LEFT SIDE
(CUT)

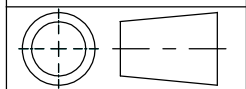
INSIDE VIEW
OF WINDOW FRAME
WITHOUT GLASS

SHEET SIZE A		 Mechanical desing expertise for manufacturing 2120, rue Andre-C.-Hamel, Drummondville QC J2C 8B1 Tel.: (819) 475-4367 Fax.: (819) 475-5011 www.cofamek.com www.fabrimeka.com	
			
DRAWN BY: J. M.	CUSTOMER FORM-TECH WINDOWS	PROJECT C08029	
DATE: 09/09/30	TITLE SLIDING WINDOW 0-17 INSTALLATION DETAIL - PAGE I		
SCALE:	QTY.:	MATERIAL:	
CHECKED BY: FT	DRAWING NO 08029-4319-E		
TOLERANCES .XX ± .010 .X ± .015 .XXX ± .005 ANGLE ± 1°		REV. 0	

NO.	DATE	REVISION	BY
-----	------	----------	----



SHEET SIZE
A



DRAWN BY: J. M.

DATE: 09/09/30

SCALE: QTY.:

CHECKED BY: FT

TOLERANCES

.XX ± 1/32 .XX ± .010
.X ± .015 .XXX ± .005

ANGLE ± 1°



Mechanical desing expertise for manufacturing
2120, rue Andre-C.-Hamel, Drummondville QC J2C 8B1
Tel.: (819) 475-4367 | Fax.: (819) 475-5011
www.cofamek.com | www.fabrimeka.com

CUSTOMER FORM-TECH WINDOWS

PROJECT C08029

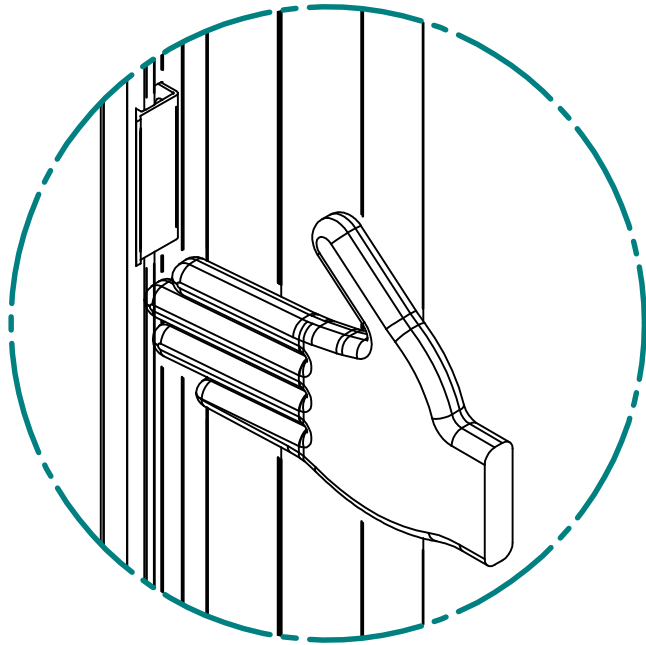
TITLE

SLIDING WINDOW 0-17
INSTALLATION DETAIL - PAGE 2

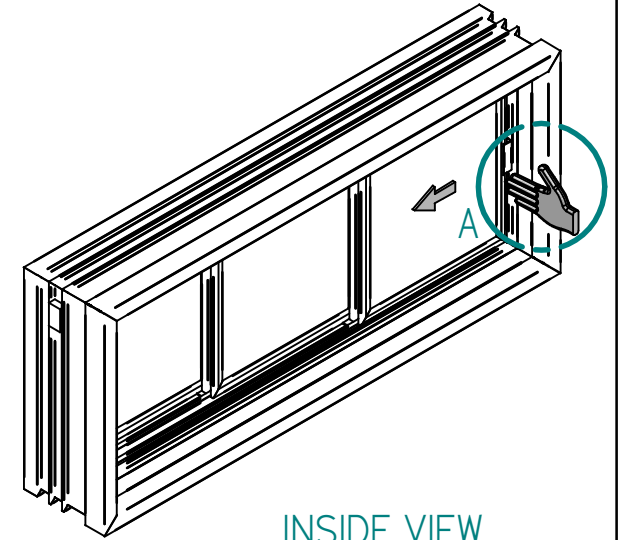
MAT'L:

DRAWING NO 08029-4319-E REV. 0

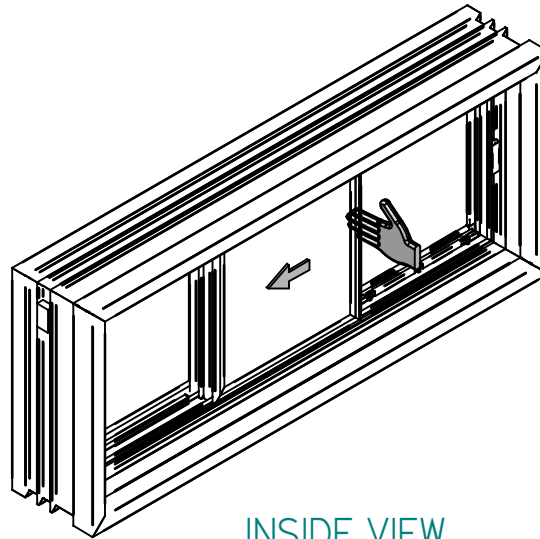
NO.	DATE	REVISION	BY



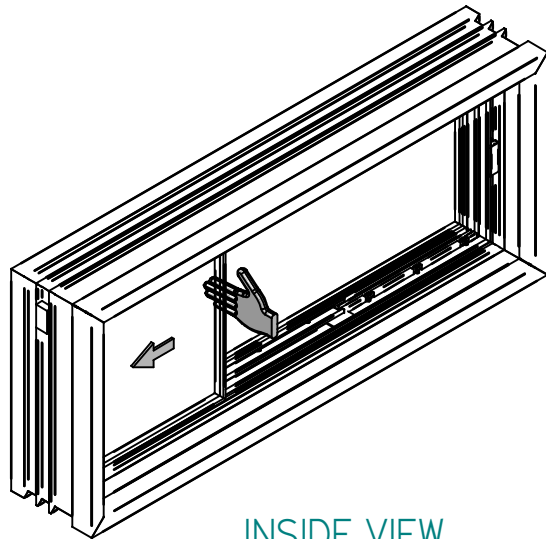
DETAIL A




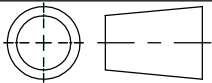
INSIDE VIEW
CLOSED POSITION



INSIDE VIEW
OPEN POSITION FOR VENTILATION



INSIDE VIEW
OPEN POSITION FOR EVACUATION

SHEET SIZE A		 Mechanical desing expertise for manufacturing 2120, rue Andre-C.-Hamel, Drummondville QC J2C 8B1 Tel.: (819) 475-4367 Fax.: (819) 475-5011 www.cofamek.com www.fabrimeka.com		
				
DRAWN BY: J. M.		CUSTOMER FORM-TECH WINDOWS	PROJECT C08029	
DATE: 09/09/30		TITLE SLIDING WINDOW 0-17 OPENING INSTRUCTION - PAGE 3		
SCALE:	QTY.:			
CHECKED BY: FT				
TOLERANCES				
.XX ± 1/32	.XX ± .010	MAT'L.:	DRAWING NO 08029-4319-E	REV. 0
.X ± .015	.XXX ± .005			
ANGLE ± 1°				

NO.	DATE	REVISION	BY
-----	------	----------	----